

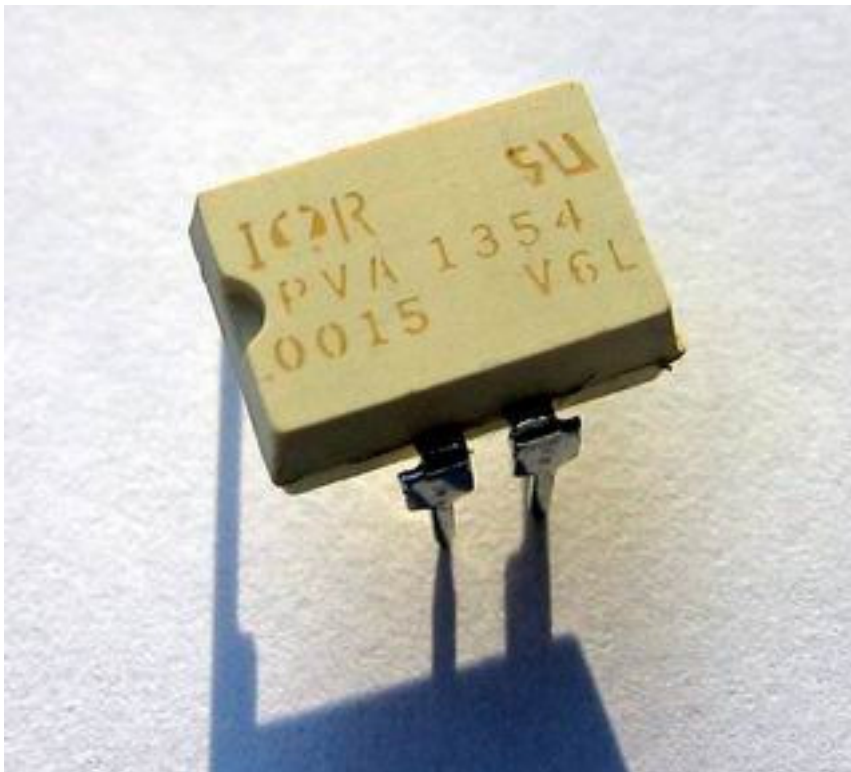
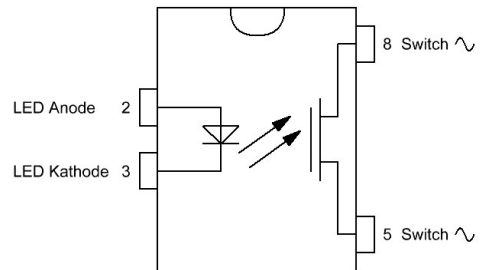
# Datenblatt PVA1354

## Photovoltaic Switch / BOSFET-Switch

---

### Technical Data:

**BOSFET Power IC**  
**320 $\mu$ s Operation Time**  
**0,2 $\mu$ V Thermal Offset**  
**3 miliwatts Pick-Up Power**  
**1000V/ $\mu$ sec dv/dt**  
**Bounce-Free**  
**8-pin DIP Package**  
**-40°C to 85°C**  
**UL recognized**



---

<b>Part Number</b>	<b>Operation Voltage</b>	<b>Sensitivity</b>	<b>Off-State Resistance</b>
<b>PVA1352</b>	<b>0 to 100Volts AC/DC</b>	<b>5mA</b>	<b>10<sup>8</sup> Ohms</b>
<b>PVA1354</b>	<b>0 to 100Volts AC/DC</b>	<b>5mA</b>	<b>10<sup>10</sup> Ohms</b>

---

### Input Characteristics

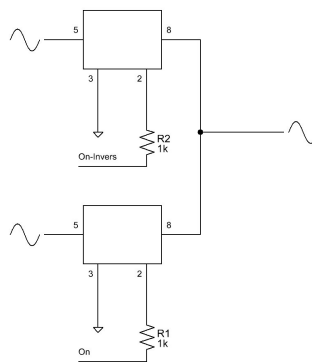
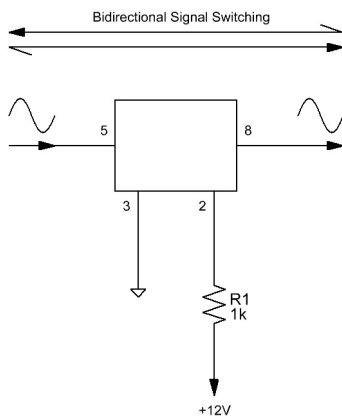
	<b>PVA1352</b>	<b>PVA1354</b>	<b>Units</b>
<b>Minium Load Current</b>			
<b>For 200mA Continous Load</b>	<b>2,0</b>	<b>2,0</b>	<b>DC/mA @25°C</b>
<b>For 250mA Continous Load</b>	<b>2,0</b>	<b>5,0</b>	<b>DC/mA @40°C</b>
<b>For 125mA Continous Load</b>	<b>2,0</b>	<b>5,0</b>	<b>DC/mA @85°C</b>
<b>Maximum Control Current for Off-State Resistane at 25°C</b>	<b>10</b>		<b>µA (DC)</b>
<b>Control Current Range (Caution: Limit LED Current)</b>	<b>2,5 to 10mA</b>		<b>mA (DC)</b>
<b>Maximum Reverse Voltage</b>	<b>7,0</b>		<b>V (DC)</b>

---

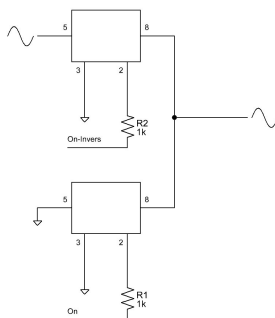
**Output Characteristics**

	PVA1352	PVA1354	Units
<b>Operation Voltage Range</b>	<b>0 to +/-100</b>		<b>Volts (peak)</b>
<b>Maximum Load Current</b>	<b>315</b>		<b>mA (DC)</b>
<b>Response Time @25°C</b>	<b>300</b>		<b>µs</b>
<b>Maximum T(on) / 12mA Control Current</b>			
<b>50mA Load Current / 50 VDC</b>			
<b>Response Time @25°C</b>	<b>50</b>		<b>µs</b>
<b>Maximum T (off) / 12mA Control Current</b>			
<b>50mA Load Current / 50mA</b>			
<b>Maximum On-State Resistance</b>	<b>5</b>		<b>Ohms</b>
<b>Maximum Off-Sate Resistance</b>	<b>10<sup>8</sup></b>	<b>10<sup>10</sup></b>	<b>Ohms</b>
<b>Minium Off-State dv/dt</b>	<b>1000</b>		<b>V/µs</b>
<b>Output Capacitance</b>	<b>15</b>		<b>pF @ 50VDC</b>

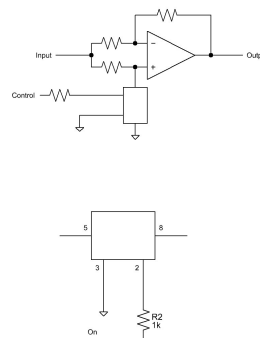
**Typical Applications:**



**Analog Signal Switching**



**Analog Signal Multiplexing**



**High Performance Analog Muting**

**Analog Phase Switching**